





## Servo-assisted 2/2-way diaphragm valve

- Servo-assisted diaphragm valve up to DN65 orifice
- Separating diaphragm for aggressive and contaminated media
- Closing and opening times can be adjusted individually
- Explosion-proof versions (Cat.2)
- Service-friendly manual override



Product variants described in the data sheet may differ from the product presentation and description.

### Can be combined with

|   |   |   |
|---|---|---|
|   | <b>Type 2518</b><br>Cable Plug<br>DIN EN 175301-803 -<br>Form A | ▶ |
|  | <b>Type 1087</b><br>Timer                                       | ▶ |

### Type description

The 5282 valve is a servo-assisted diaphragm valve. A minimum differential pressure is required for the valve to function. Various diaphragm material combinations and circuit functions are available depending on the application. The standard brass body satisfies all European drinking water requirements. The body offering is completed with stainless steel versions. The 3/2-way pilot valve can be easily converted from NC to NO circuit function by rotating it on the armature. The solenoid coils are moulded with a chemically resistant epoxy. The 5282 is equipped with manual override for start-up and testing. In combination with a plug acc. to DIN EN 175301-803 Form A and stainless steel body, the valves satisfy the requirements of NEMA 4X.

## Table of contents

|   |           |
|---|-----------|
| <b>1. General technical data</b>  | <b>3</b>  |
| <b>2. Circuit functions</b>   | <b>4</b>  |
| <b>3. Approvals</b>   | <b>4</b>  |
| <b>4. Materials</b>   | <b>4</b>  |
| 4.1. Chemical Resistance Chart – Bürkert resistApp.....                                   | 4         |
| 4.2. Standard version.....  | 4         |
| <b>5. Dimensions</b>  | <b>5</b>  |
| 5.1. Standard versions.....   | 5         |
| Threaded connection.....  | 5         |
| Flange connection according to DIN EN 1092 - 1 .....                                      | 6         |
| 5.2. Explosion-proof version.....   | 7         |
| Threaded connection.....  | 7         |
| Flange connection according to DIN EN 1092 - 1 .....                                      | 8         |
| <b>6. Product installation</b>  | <b>9</b>  |
| 6.1. Mounting options.....  | 9         |
| <b>7. Product accessories</b>   | <b>9</b>  |
| 7.1. Cable glands for ATEX/IECEX terminal box .....                                       | 9         |
| 7.2. Special tool to turn the junction box.....   | 10        |
| <b>8. Ordering information</b>  | <b>10</b> |
| 8.1. Bürkert eShop – Easy ordering and quick delivery.....                                | 10        |
| 8.2. Bürkert product filter.....  | 10        |
| 8.3. Ordering chart.....  | 11        |
| Brass body normally closed – Nominal pressure 0.2...10.....                               | 11        |
| Brass body normally closed – Nominal pressure 0.2...16.....                               | 12        |
| Brass version with stainless steel flange body – Nominal pressure 0.2...10.....           | 12        |
| Stainless steel body with threaded or flange connection – Nominal pressure 0.2...10 ..... | 13        |
| Explosion-proof versions .....  | 14        |
| 8.4. Ordering chart accessories.....  | 15        |
| Cable plug Type 2518, form A acc. to DIN EN 175301 - 803 .....                            | 15        |
| Accessories for Ex cable glands.....  | 15        |

## 1. General technical data

| Product characteristics              |  |
|--------------------------------------|--|
| Dimensions                           | Detailed information can be found in chapter "5. Dimensions" on page 5.                                    |
| Materials                            |  |
| Threaded body                        | Brass according to DIN EN 50930 – 6<br>DN13 stainless steel CF3M<br>DN 20...DN 50 stainless steel 1.4581   |
| Flange body                          | Stainless steel 1.4581   |
| Internal valve parts                 | Stainless steel, brass   |
| Coil                                 | Epoxide  |
| Seal                                 | NBR, EPDM, FKM   |
| Nominal diameter                     | DN13...DN65  |
| Thermal insulation class of solenoid | H  |
| Performance data                     |  |
| Switching times <sup>1.)</sup>       | Opening: 0.1...0.8 sec.<br>Closing: 1.0...4.0 sec.   |
| Electrical data                      |  |
| Operating voltage                    | 024/DC, 024/56, 230/56, 024/UC, 230/UC   |
| Voltage tolerance                    | ± 10 %   |
| Electrical connection                |  |
| Standard                             | Plug tabs according to DIN EN 175301 - 803 Form A for cable plug Type 2518                                 |
| Ex                                   | With moulded cable 3 m long, 3 × 0.5 mm <sup>2</sup><br>With terminal box                                  |
| Nominal operating mode               | Continuous operation 100 % duty cycle  |
| Electrical power consumption         |  |
| Standard                             | Inrush AC 24 VA<br>Operation AC 14/8 VA W<br>DC cold/hot 11/8 W  |
| Ex                                   | Inrush AC 40 VA<br>Operation AC 3 VA W<br>DC cold/hot 40 W inrush / 3 W operation                          |
| Medium data                          |  |
| Operating medium                     |  |
| NBR                                  | Neutral media, e.g. compressed air, water, hydraulic oil   |
| EPDM                                 | Oil and grease-free media, alkalis, hot water  |
| FKM                                  | Hot air, per solutions, hot oils   |
| Medium temperature                   |  |
| NBR                                  | 0 °C...+80 °C  |
| EPDM                                 | -25 °C...+90 °C  |
| FKM                                  | 0 °C...+90 °C  |
| Approvals and certificates           |  |
| Guidelines                           | CE, EAC  |
| Environment and installation         |  |
| Ambient temperature                  | Max. +55 °C  |
| Degree of protection                 | IP65 with cable plug according to DIN EN 175301 - 803 Form A<br>IP65 with cable connection or terminal box |
| Installation position                | Any, preferably actuator face up   |

1.) Measurement at the valve outlet 6 bar and 20 °C. Opening: Pressure build-up 0...90 %, closing: Pressure reduction 100...10 %  
The switching times can be changed by turning the throttle screws (in the housing lid).

## 2. Circuit functions

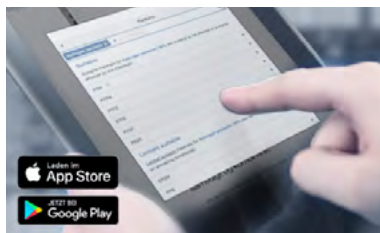
| Circuit function | Description  |
|------------------|--|
|                  | <b>Type: A, solenoid valve</b><br>2/2 way<br>servo-controlled, with manual override<br>normally closed |
|                  | <b>Type: B, solenoid valve</b><br>2/2 way<br>servo-controlled, with manual override<br>normally open   |

## 3. Approvals

| Explosion-proof approvals           |  |
|-------------------------------------|--|
| Type of protection (ATEX and IECEx) |  |
| with cable                          | II 2G Ex mb IIC T4 Gb<br>II 2D Ex mb IIIC T130 °C Db       |
| with terminal box                   | II 2G Ex eb mb IIC T4 Gb<br>II 2D Ex mb tb IIIC T130 °C Db |

## 4. Materials

### 4.1. Chemical Resistance Chart – Bürkert resistApp

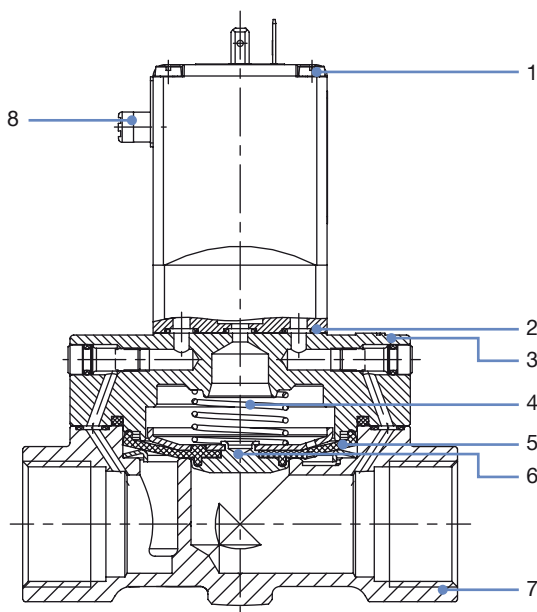


#### Bürkert resistApp – Chemical Resistance Chart

You want to ensure the reliability and durability of the materials in your individual application case? Verify your combination of media and materials on our website or in our resistApp.

[Start Chemical Resistance Check](#)

### 4.2. Standard version



| No. | Element          | Material  |
|-----|------------------|---|
| 1   | Coil             | Epoxy   |
| 2   | O-rings          | NBR, EPDM, FKM  |
| 3   | Cover            | Brass<br>DN 13 stainless steel 1.4408<br>DN 20...DN 50 stainless steel 1.4581 |
| 4   | Springs          | Stainless steel 1.4310  |
| 5   | Diaphragm        | NBR, EPDM, FKM  |
| 6   | Diaphragm holder | Brass, 1.4401 stainless steel   |
| 7   | Valve body       | Brass<br>DN 13 stainless steel CF3M<br>DN 20...DN 50 stainless steel 1.4581   |
| 8   | Manual override  | PA  |

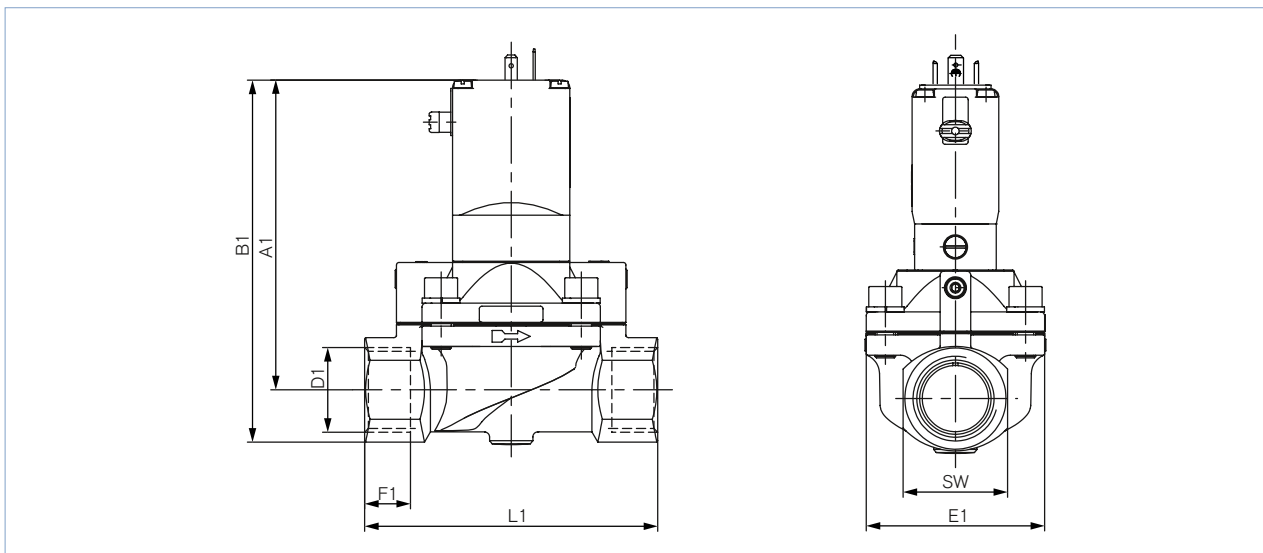
## 5. Dimensions

### 5.1. Standard versions

#### Threaded connection

**Note:**

- Dimensions in mm
- Dimensions D1 and F1 apply to G thread
- Dimensions D2 and F2 apply to NPT thread
- Dimensions D3 and F3 apply to Rc thread



| DN                | A1    | B1    | D1   | F1 | D2     | F2   | D3    | F3   | E1  | L1  | AF |
|-------------------|-------|-------|------|----|--------|------|-------|------|-----|-----|----|
| 13 <sup>1.)</sup> | 109.0 | 123.0 | G ½  | 14 | NPT ½  | 13.7 | Rc ½  | 13.2 | 40  | 65  | 27 |
| 13 <sup>2.)</sup> | 108.0 | 124.0 | G ½  | 14 | NPT ½  | 13.7 | Rc ½  | 13.2 | 40  | 65  | 32 |
| 13 <sup>2.)</sup> | 108.0 | 124.0 | G ¾  | 16 | NPT ¾  | 14.0 | Rc ¾  | 14.5 | 40  | 65  | 32 |
| 20 <sup>2.)</sup> | 115.0 | 131.0 | G ½  | 14 | NPT ½  | 13.7 | Rc ½  | 13.2 | 60  | 100 | 32 |
| 20                | 115.0 | 131.0 | G ¾  | 16 | NPT ¾  | 14.0 | Rc ¾  | 14.5 | 60  | 100 | 32 |
| 25                | 121.5 | 142.0 | G 1  | 18 | NPT 1  | 16.8 | Rc 1  | 16.8 | 70  | 115 | 41 |
| 32                | 122.0 | 147.0 | G 1¼ | 20 | NPT 1¼ | 17.3 | Rc 1¼ | 19.1 | 85  | 126 | 50 |
| 40                | 126.0 | 156.0 | G 1½ | 22 | NPT 1½ | 17.3 | Rc 1½ | 19.1 | 85  | 126 | 60 |
| 50                | 142.5 | 177.5 | G 2  | 24 | NPT 2  | 17.6 | Rc 2  | 23.4 | 115 | 164 | 70 |
| 65                | 142.5 | 185.0 | G 2½ | 27 | NPT 2½ | 23.6 | -     | -    | 115 | 180 | 85 |

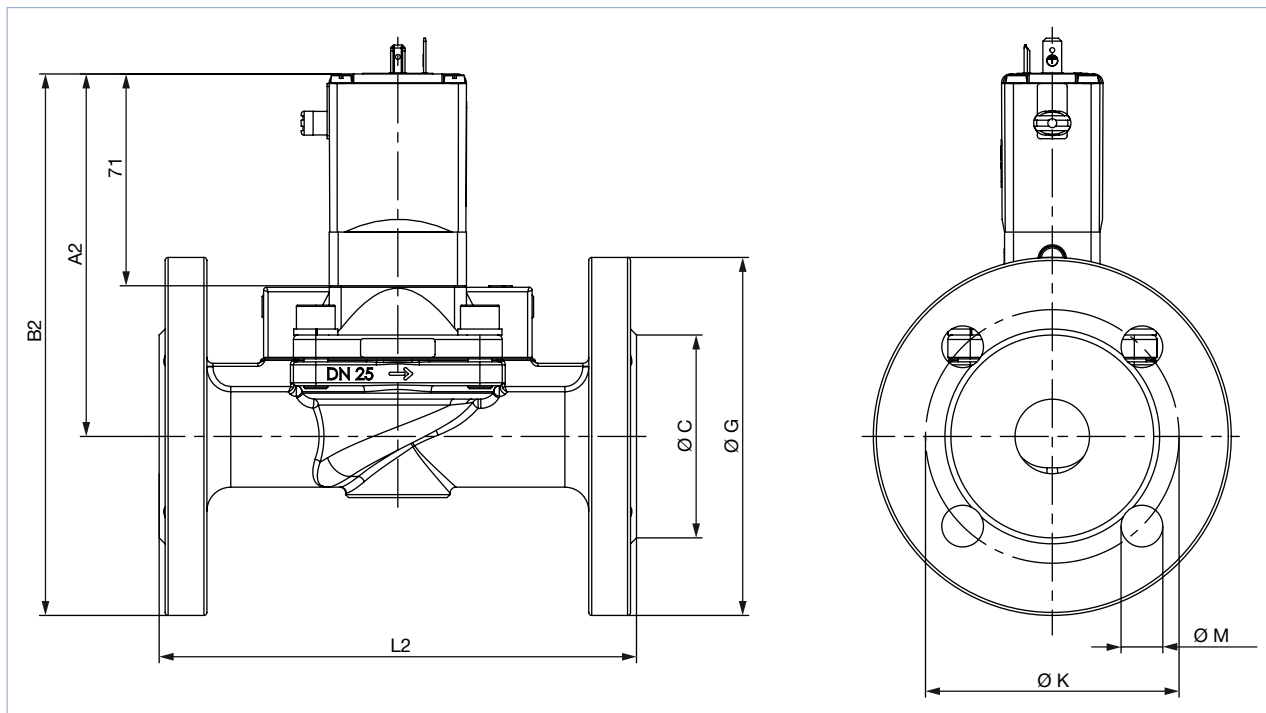
1.) Only in threaded brass connection

2.) Only in threaded stainless steel connection

Flange connection according to DIN EN 1092-1

**Note:**

Dimensions in mm



| Version  | DN | A2    | B2    | Ø C | Ø G | L2  | Ø M | Ø K |
|--|----|-------|-------|-----|-----|-----|-----|-----|
| Brass with cast stainless steel body           | 25 | 121,5 | 181,5 | 68  | 120 | 160 | 14  | 85  |
|  | 32 | 122,0 | 192,0 | 78  | 140 | 180 | 18  | 100 |
|  | 40 | 128,0 | 203,0 | 88  | 150 | 200 | 18  | 110 |
|  | 50 | 142,8 | 225,3 | 102 | 165 | 230 | 18  | 125 |
| Stainless steel with cast stainless steel body | 25 | 120,5 | 180,5 | 68  | 120 | 160 | 14  | 85  |
|  | 32 | 122,0 | 192,0 | 78  | 140 | 180 | 18  | 100 |
|  | 40 | 128,0 | 203,0 | 88  | 150 | 200 | 18  | 110 |
|  | 50 | 142,8 | 225,3 | 102 | 165 | 230 | 18  | 125 |

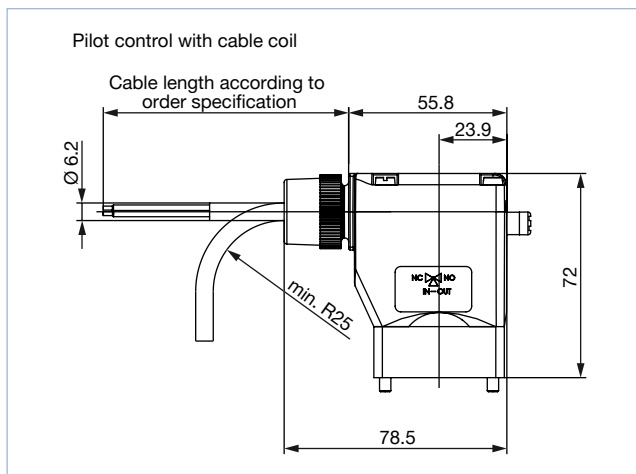
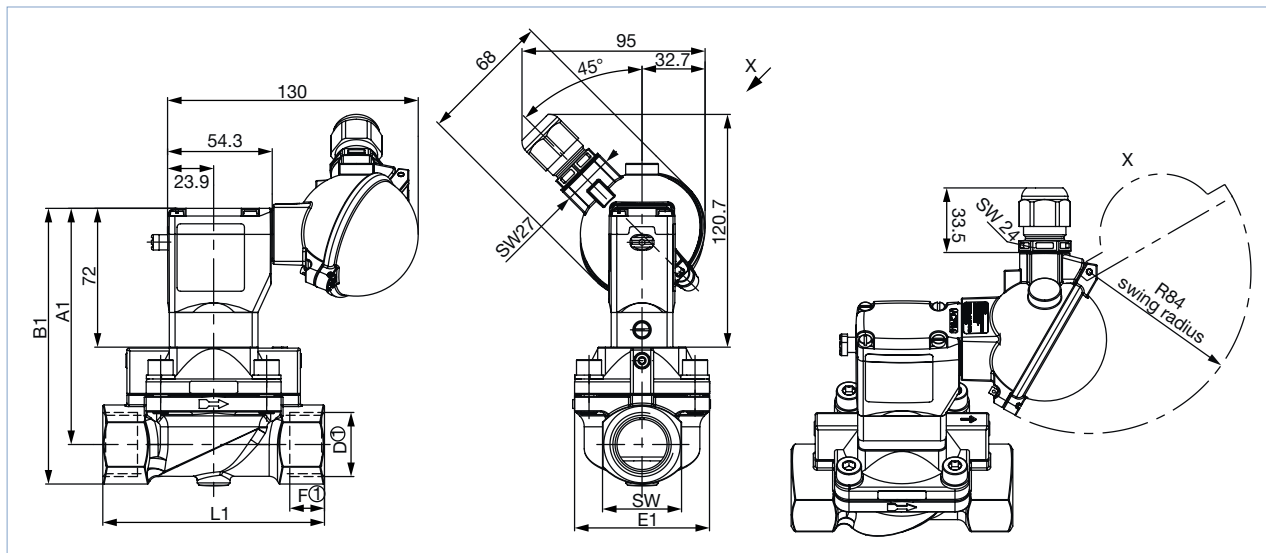
DTS 1000011015 EN Version: N Status: RL (released | freigegeben | validé) printed: 20.04.2020

### 5.2. Explosion-proof version

#### Threaded connection

**Note:**

- Dimensions in mm
- Dimensions D1 and F1 apply to G thread
- Dimensions D2 and F2 apply to NPT thread
- Dimensions D3 and F3 apply to Rc thread



| DN                | A1    | B1    | D1   | F1 | D2     | F2   | D3    | F3   | E1  | L1  | AF |
|-------------------|-------|-------|------|----|--------|------|-------|------|-----|-----|----|
| 13 <sup>1.)</sup> | 110.0 | 124.0 | G ½  | 14 | NPT ½  | 13.7 | Rc ½  | 13.2 | 40  | 65  | 27 |
| 13 <sup>2.)</sup> | 109.0 | 125.0 | G ½  | 14 | NPT ½  | 13.7 | Rc ½  | 13.2 | 40  | 65  | 32 |
| 13 <sup>2.)</sup> | 109.0 | 125.0 | G ¾  | 16 | NPT ¾  | 14.0 | Rc ¾  | 14.5 | 40  | 65  | 32 |
| 20 <sup>2.)</sup> | 116.0 | 132.0 | G ½  | 14 | NPT ½  | 13.7 | Rc ½  | 13.2 | 60  | 100 | 32 |
| 20                | 116.0 | 132.0 | G ¾  | 16 | NPT ¾  | 14.0 | Rc ¾  | 14.5 | 60  | 100 | 32 |
| 25                | 122.5 | 143.0 | G 1  | 18 | NPT 1  | 16.8 | Rc 1  | 16.8 | 70  | 115 | 41 |
| 32                | 123.0 | 148.0 | G 1¼ | 20 | NPT 1¼ | 17.3 | Rc 1¼ | 19.1 | 85  | 126 | 50 |
| 40                | 127.0 | 157.0 | G 1½ | 22 | NPT 1½ | 17.3 | Rc 1½ | 19.1 | 85  | 126 | 60 |
| 50                | 143.8 | 178.8 | G 2  | 24 | NPT 2  | 17.6 | Rc 2  | 23.4 | 115 | 164 | 70 |
| 65                | 143.5 | 186.0 | G 2½ | 27 | NPT 2½ | 23.6 | -     | -    | 115 | 180 | 85 |

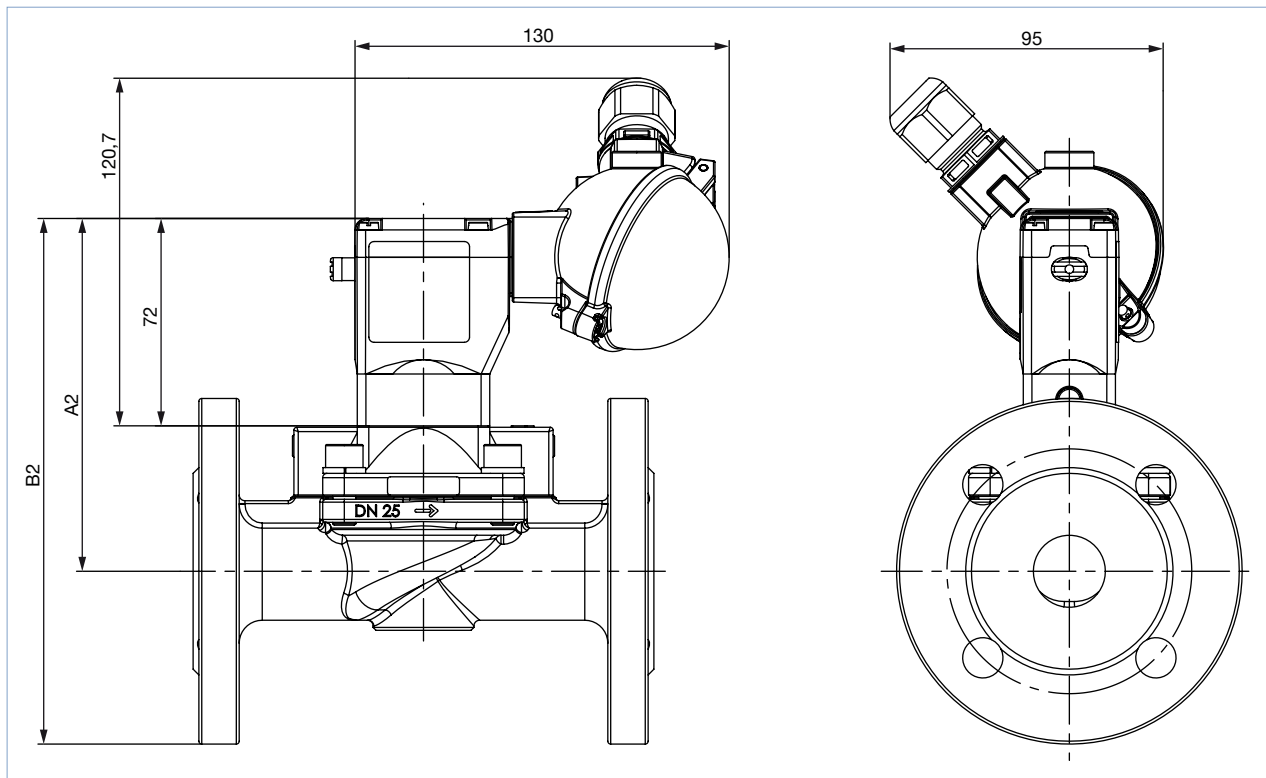
1.) Only in threaded brass connection

2.) Only in threaded stainless steel connection

Flange connection according to DIN EN 1092-1

Note:

- Dimensions in mm
- Dimensions of coil and terminal connection box see “Threaded connection” on page 7.



| Version  | DN | A2    | B2    | Ø C | Ø G | L2  | Ø M | Ø K |
|--|----|-------|-------|-----|-----|-----|-----|-----|
| Brass with cast stainless steel body           | 25 | 122,5 | 182,5 | 68  | 120 | 160 | 14  | 85  |
|  | 32 | 123,0 | 193,0 | 78  | 140 | 180 | 18  | 100 |
|  | 40 | 129,0 | 204,0 | 88  | 150 | 200 | 18  | 110 |
|  | 50 | 143,8 | 226,3 | 102 | 165 | 230 | 18  | 125 |
| Stainless steel with cast stainless steel body | 25 | 121,5 | 181,5 | 68  | 120 | 160 | 14  | 85  |
|  | 32 | 123,0 | 193,0 | 78  | 140 | 180 | 18  | 100 |
|  | 40 | 129,0 | 204,0 | 88  | 150 | 200 | 18  | 110 |
|  | 50 | 143,8 | 226,3 | 102 | 165 | 230 | 18  | 125 |

DTS 1000011015 EN Version: N Status: RL (released | freigegeben | validé) printed: 20.04.2020

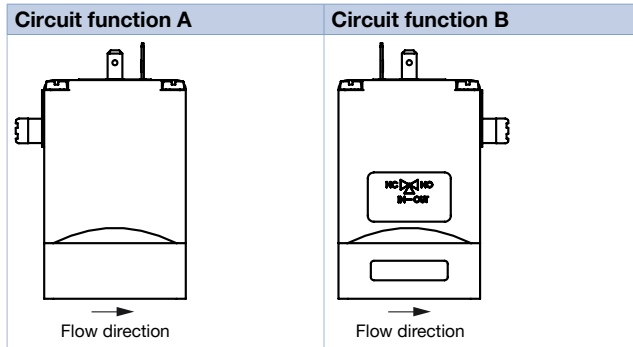


## 6. Product installation

### 6.1. Mounting options

**Note:**

- Delivery status corresponds to the order code. Turning the pilot valve through 180° changes the circuit function of the valve.
- The circuit function can only be changed for versions up to 10 bar.



## 7. Product accessories

### 7.1. Cable glands for ATEX/IECEX terminal box

**Note:**

A cable gland in polyamide version is included in the delivery. A nickel-plated brass version can be ordered at a surcharge, see “[8.4. Ordering chart accessories](#)” on page 15.

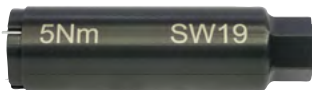
| Description   | Ex approvals                              |  | Dimensions |  |    |            |   |       |   |       |    |       |   |       |
|---|---|--|------------|--|----|------------|---|-------|---|-------|----|-------|---|-------|
|   | Certification                             | Identification                                   |            |  |    |            |   |       |   |       |    |       |   |       |
| Ex cable gland,<br>Brass, nickelplated, 6...13 mm<br> | PTB 04 ATEX 1112 X,<br>IECEX PTB 13.0027X | II 2 G Ex e IIC Gb,<br>II 2 D Ex tb IIIC Db IP68 |            | <table border="1"> <tr><td>TL</td><td>29...37 mm</td></tr> <tr><td>L</td><td>6 mm</td></tr> <tr><td>D</td><td>20 mm</td></tr> <tr><td>SW</td><td>24 mm</td></tr> <tr><td>E</td><td>27 mm</td></tr> </table>  | TL | 29...37 mm | L | 6 mm  | D | 20 mm | SW | 24 mm | E | 27 mm |
| TL  | 29...37 mm                                |  |            |  |    |            |   |       |   |       |    |       |   |       |
| L   | 6 mm                                      |  |            |  |    |            |   |       |   |       |    |       |   |       |
| D   | 20 mm                                     |  |            |  |    |            |   |       |   |       |    |       |   |       |
| SW  | 24 mm                                     |  |            |  |    |            |   |       |   |       |    |       |   |       |
| E   | 27 mm                                     |  |            |  |    |            |   |       |   |       |    |       |   |       |
| Ex cable gland,<br>Polyamide, 7...13 mm<br>           | PTB 13 ATEX 1015 X,<br>IECEX PTB 13.0034X | II 2 G Ex e IIC Gb,<br>II 2 D Ex tb IIIC Db IP68 |            | <table border="1"> <tr><td>TL</td><td>36...45 mm</td></tr> <tr><td>L</td><td>10 mm</td></tr> <tr><td>D</td><td>20 mm</td></tr> <tr><td>SW</td><td>24 mm</td></tr> <tr><td>E</td><td>28 mm</td></tr> </table> | TL | 36...45 mm | L | 10 mm | D | 20 mm | SW | 24 mm | E | 28 mm |
| TL  | 36...45 mm                                |  |            |  |    |            |   |       |   |       |    |       |   |       |
| L   | 10 mm                                     |  |            |  |    |            |   |       |   |       |    |       |   |       |
| D   | 20 mm                                     |  |            |  |    |            |   |       |   |       |    |       |   |       |
| SW  | 24 mm                                     |  |            |  |    |            |   |       |   |       |    |       |   |       |
| E   | 28 mm                                     |  |            |  |    |            |   |       |   |       |    |       |   |       |

DTS 1000011015 EN Version: N Status: RL (released | freigegeben | valide) printed: 20.04.2020

## 7.2. Special tool to turn the junction box

### Note:

This special tool is not supplied with the valve, see “8.4. Ordering chart accessories” on page 15.

| Set SC02-AC10   | Set includes:  |
|---|--|
|  | <ul style="list-style-type: none"> <li>• Special wrench</li> <li>• Service manual</li> </ul> |

## 8. Ordering information

### 8.1. Bürkert eShop – Easy ordering and quick delivery



#### Bürkert eShop – Easy ordering and fast delivery

You want to find your desired Bürkert product or spare part quickly and order directly? Our online shop is available for you 24/7. Sign up and enjoy all the benefits.

[Order online now](#)

### 8.2. Bürkert product filter



#### Bürkert product filter – Get quickly to the right product

You want to select products comfortably based on your technical requirements? Use the Bürkert product filter and find suitable articles for your application quickly and easily.

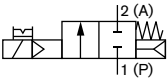
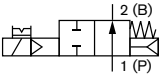
[Try out our product filter](#)

## 8.3. Ordering chart

**Note:**

Please note that the cable plug must be ordered separately, see “8.4. Ordering chart accessories” on page 15 or separate data sheet for **Type 2518** ▶.

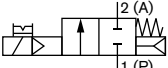
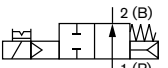
**Brass body normally closed – Nominal pressure 0.2...10**

| Circuit function   | Port connection           | Nominal diameter | Flow coefficient water <sup>1.)</sup> | Nominal pressure <sup>2.)</sup> | Weight | Article no. according to voltage/frequency |             |             |
|--|---------------------------|------------------|---------------------------------------|---------------------------------|--------|--|-------------|-------------|
|  |                           |                  |                                       |                                 |        | 024/DC                                     | 024/50 – 60 | 230/50 – 60 |
|  |                           | [mm]             | [m <sup>3</sup> /h]                   | [bar]                           | [kg]   | [V/Hz]                                     | [V/Hz]      | [V/Hz]      |
| <b>With threaded connection and manual override, without cable plug</b>  |                           |                  |                                       |                                 |        |  |             |             |
| <b>A, solenoid valve</b><br>2/2 way<br>servo-controlled,<br>with manual override<br>normally closed<br> | <b>Seal material NBR</b>  |                  |                                       |                                 |        |  |             |             |
|  | G ½                       | 13.0             | 4.0                                   | 0.2...10                        | 0.95   | 134430                                     | 134431      | 134433      |
|  | G ¾                       | 20.0             | 6.5                                   | 0.2...10                        | 1.40   | 134434                                     | 134435      | 134437      |
|  | G 1                       | 25.0             | 10.0                                  | 0.2...10                        | 1.85   | 134438                                     | 134439      | 134441      |
|  | G 1¼                      | 32.0             | 20.0                                  | 0.2...10                        | 2.60   | 134442                                     | 134443      | 134445      |
|  | G 1½                      | 40.0             | 20.0                                  | 0.2...10                        | 3.05   | 134446                                     | 134447      | 134449      |
|  | G 2                       | 50.0             | 40.0                                  | 0.2...10                        | 5.15   | 134450                                     | 134451      | 134453      |
|  | G 2½                      | 65.0             | 40.0                                  | 0.2...10                        | 5.90   | 134454                                     | 134455      | 134457      |
| <b>B, solenoid valve</b><br>2/2 way<br>servo-controlled,<br>with manual override<br>normally open<br>  | <b>Seal material FKM</b>  |                  |                                       |                                 |        |  |             |             |
|  | G ½                       | 13.0             | 4.0                                   | 0.2...10                        | 0.95   | 134486                                     | 134487      | 134489      |
|  | G ¾                       | 20.0             | 6.5                                   | 0.2...10                        | 1.40   | 134490                                     | 134491      | 134493      |
|  | G 1                       | 25.0             | 10.0                                  | 0.2...10                        | 1.85   | 134494                                     | 134495      | 134497      |
|  | G 1¼                      | 32.0             | 20.0                                  | 0.2...10                        | 2.60   | 134498                                     | 134499      | 134501      |
|  | G 1½                      | 40.0             | 20.0                                  | 0.2...10                        | 3.05   | 134502                                     | 134503      | 134505      |
|  | G 2                       | 50.0             | 40.0                                  | 0.2...10                        | 5.15   | 134506                                     | 134507      | 134509      |
|  | G 2½                      | 65.0             | 40.0                                  | 0.2...10                        | 5.90   | 134510                                     | 134511      | 134513      |
|  | <b>Seal material EPDM</b> |                  |                                       |                                 |        |  |             |             |
|  | G ½                       | 13.0             | 4.0                                   | 0.2...10                        | 0.95   | 134458                                     | 134459      | 134461      |
|  | G ¾                       | 20.0             | 6.5                                   | 0.2...10                        | 1.40   | 134462                                     | 134463      | 134465      |
|  | G 1                       | 25.0             | 10.0                                  | 0.2...10                        | 1.85   | 134466                                     | 134467      | 134469      |
|  | G 1¼                      | 32.0             | 20.0                                  | 0.2...10                        | 2.60   | 134470                                     | 134471      | 134473      |
|  | G 1½                      | 40.0             | 20.0                                  | 0.2...10                        | 3.05   | 134474                                     | 134475      | 134477      |
|  | G 2                       | 50.0             | 40.0                                  | 0.2...10                        | 5.15   | 134478                                     | 134479      | 134481      |
|  | G 2½                      | 65.0             | 40.0                                  | 0.2...10                        | 5.90   | 134482                                     | 134483      | 134485      |

1.) Measurement at +20 °C, 1 bar pressure at the valve inlet and free outlet, a pressure difference of 0.5 bar is required to open the full cross-section.

2.) Pressure data: Overpressure to atmospheric pressure

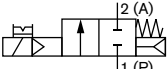
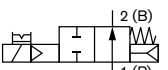
## Brass body normally closed – Nominal pressure 0.2...16

| Circuit function   | Port connection          | Nominal diameter | K <sub>v</sub> value water <sup>1.)</sup> | Nominal pressure <sup>2.)</sup> | Weight | Article no. according to voltage/frequency |             |             |
|--|--------------------------|------------------|---|---------------------------------|--------|--|-------------|-------------|
|  |                          |                  |   |                                 |        | 024/DC                                     | 024/50 – 60 | 230/50 – 60 |
|  |                          | [mm]             | [m <sup>3</sup> /h]                       | [bar]                           | [kg]   | [V/Hz]                                     | [V/Hz]      | [V/Hz]      |
| <b>With threaded connection and manual override, without cable plug</b>  |                          |                  |   |                                 |        |  |             |             |
| <b>A, solenoid valve</b><br>2/2 way<br>servo-controlled,<br>with manual override<br>normally closed<br> | <b>Seal material NBR</b> |                  |   |                                 |        |  |             |             |
|  | G ½                      | 13,0             | 4,0                                       | 0,2...16                        | 0,95   | 187421 ☞                                   | 254814 ☞    | 187422 ☞    |
|  | G ¾                      | 20,0             | 6,5                                       | 0,2...16                        | 1,40   | 187423 ☞                                   | 237670 ☞    | 186719 ☞    |
|  | G 1                      | 25,0             | 10,0                                      | 0,2...16                        | 1,85   | 202683 ☞                                   | 246449 ☞    | 183126 ☞    |
|  | G 1¼                     | 32,0             | 20,0                                      | 0,2...16                        | 2,60   | 202684 ☞                                   | on request  | 202680 ☞    |
|  | G 1½                     | 40,0             | 20,0                                      | 0,2...16                        | 3,05   | 202685 ☞                                   | 209365 ☞    | 202681 ☞    |
|  | G 2                      | 50,0             | 40,0                                      | 0,2...16                        | 5,15   | 202686 ☞                                   | 318245 ☞    | 202682 ☞    |
| <b>B, solenoid valve</b><br>2/2 way<br>servo-controlled,<br>with manual override<br>normally open<br>   | <b>Seal material NBR</b> |                  |   |                                 |        |  |             |             |
|  | G ½                      | 13,0             | 4,0                                       | 0,2...16                        | 0,95   | 184959 ☞                                   | 250917 ☞    | 184960 ☞    |
|  | G ¾                      | 20,0             | 6,5                                       | 0,2...16                        | 1,40   | 189506 ☞                                   | on request  | 189342 ☞    |
|  | G 1                      | 25,0             | 10,0                                      | 0,2...16                        | 1,85   | 183129 ☞                                   | 223653 ☞    | 183132 ☞    |
|  | G 1¼                     | 32,0             | 20,0                                      | 0,2...16                        | 2,60   | 242280 ☞                                   | on request  | 242277 ☞    |
|  | G 1½                     | 40,0             | 20,0                                      | 0,2...16                        | 3,05   | 207728 ☞                                   | on request  | 214331 ☞    |
|  | G 2                      | 50,0             | 40,0                                      | 0,2...16                        | 5,15   | 242281 ☞                                   | on request  | 242278 ☞    |

1.) Measurement at +20 °C, 1 bar pressure at the valve inlet and free outlet, a pressure difference of 0.5 bar is required to open the full cross-section.

2.) Pressure data: Overpressure to atmospheric pressure

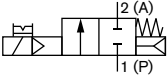
## Brass version with stainless steel flange body – Nominal pressure 0.2...10

| Circuit function  | Port connection          | Nominal diameter | K <sub>v</sub> value water <sup>1.)</sup> | Nominal pressure <sup>2.)</sup> | Weight | Article no. according to voltage/frequency |             |
|---|--------------------------|------------------|---|---------------------------------|--------|--|-------------|
|   |                          |                  |   |                                 |        | 024/DC                                     | 230/50 – 60 |
|   |                          | [mm]             | [m <sup>3</sup> /h]                       | [bar]                           | [kg]   | [V/Hz]                                     | [V/Hz]      |
| <b>With flange connection acc. to DIN EN 1092-1 and manual override, without cable plug</b>   |                          |                  |   |                                 |        |  |             |
| <b>A, solenoid valve</b><br>2/2 way<br>servo-controlled,<br>with manual<br>override<br>normally closed<br> | <b>Seal material NBR</b> |                  |   |                                 |        |  |             |
|   | Flange                   | 25,0             | 10,0                                      | 0,2...10                        | 5.2    | 355263 ☞                                   | 355266 ☞    |
|   | Flange                   | 32,0             | 20,0                                      | 0,2...10                        | 6.7    | 355269 ☞                                   | on request  |
|   | Flange                   | 40,0             | 20,0                                      | 0,2...10                        | 7.4    | 355261 ☞                                   | 355265 ☞    |
|   | Flange                   | 50,0             | 40,0                                      | 0,2...10                        | 11.5   | 355264 ☞                                   | 355259 ☞    |
| <b>B, solenoid valve</b><br>2/2 way<br>servo-controlled,<br>with manual<br>override<br>normally open<br>   |                          |                  |   |                                 |        |  |             |

1.) Measurement at +20 °C, 1 bar pressure at the valve inlet and free outlet, a pressure difference of 0.5 bar is required to open the full cross-section.





2.) Pressure data: Overpressure to atmospheric pressure

Stainless steel body with threaded or flange connection – Nominal pressure 0.2...10

| Circuit function   | Port connection                               | Nominal diameter | Flow coefficient    | Nominal pressure <sup>2)</sup> | Weight     | Article no. according to voltage/frequency |            |             |
|--|---|------------------|---------------------|--------------------------------|------------|--|------------|-------------|
|  |   | [mm]             | [m <sup>3</sup> /h] | [bar]                          |            | [kg]                                       | 024/DC     | 024/50 – 60 |
|  |   |                  |                     |                                |            | [V/Hz]                                     | [V/Hz]     | [V/Hz]      |
| <b>With threaded or flange connection and manual override, without cable plug</b>  |   |                  |                     |                                |            |  |            |             |
| <b>A, solenoid valve</b><br>2/2 way<br>servo-controlled,<br>with manual override<br>normally closed<br> | <b>Threaded connection, seal material NBR</b> |                  |                     |                                |            |  |            |             |
|  | G ½   | 13.0             | 4.0                 | 0.2...10                       | 0.91       | 281976                                     | 281979     | 281981      |
|  | G ¾   | 20.0             | 6.5                 | 0.2...10                       | 1.40       | 137142                                     | 137143     | 137145      |
|  | G 1   | 25.0             | 10.0                | 0.2...10                       | 1.80       | 137146                                     | 137147     | 137149      |
|  | G 1¼  | 32.0             | 20.0                | 0.2...10                       | 2.25       | 137150                                     | 137151     | 137153      |
|  | G 1½  | 40.0             | 20.0                | 0.2...10                       | 2.70       | 137154                                     | 137155     | 137157      |
|  | G 2   | 50.0             | 40.0                | 0.2...10                       | 4.80       | 137158                                     | 137159     | 137161      |
|  | <b>Threaded connection, seal material FKM</b> |                  |                     |                                |            |  |            |             |
|  | G ½   | 13.0             | 4.0                 | 0.2...10                       | 0.91       | 220291                                     | 220292     | 220294      |
|  | G ¾   | 20.0             | 6.5                 | 0.2...10                       | 1.40       | 134518                                     | 134519     | 134521      |
|  | G 1   | 25.0             | 10.0                | 0.2...10                       | 1.80       | 134522                                     | 134523     | 134525      |
|  | G 1¼  | 32.0             | 20.0                | 0.2...10                       | 2.25       | 134526                                     | 134527     | 134529      |
|  | G 1½  | 40.0             | 20.0                | 0.2...10                       | 2.70       | 134530                                     | 134531     | 134533      |
|  | G 2   | 50.0             | 40.0                | 0.2...10                       | 4.80       | 134534                                     | 134535     | 134537      |
| <b>Threaded connection, seal material EPDM</b>   |   |                  |                     |                                |            |  |            |             |
| G ½  | 13.0  | 4.0              | 0.2...10            | 0.91                           | 220297     | 220298                                     | 220300     |             |
| G ¾  | 20.0  | 6.5              | 0.2...10            | 1.40                           | 145709     | on request                                 | 141714     |             |
| G 1  | 25.0  | 10.0             | 0.2...10            | 1.80                           | 141078     | 93909807                                   | 146160     |             |
| G 1¼   | 32.0  | 20.0             | 0.2...10            | 2.25                           | 438559     | on request                                 | 147803     |             |
| G 1½   | 40.0  | 20.0             | 0.2...10            | 2.70                           | 141667     | on request                                 | 139823     |             |
| G 2  | 50.0  | 40.0             | 0.2...10            | 4.80                           | 141075     | on request                                 | 146530     |             |
| <b>Flange connection according to DIN EN 1092-1, seal material FKM</b>   |   |                  |                     |                                |            |  |            |             |
| Flange   | 25,0  | 10,0             | 0,2...10            | 5,1                            | 361400     | 361401                                     | 361403     |             |
| Flange   | 32,0  | 20,0             | 0,2...10            | 6,45                           | 361404     | 361405                                     | 361406     |             |
| Flange   | 40,0  | 20,0             | 0,2...10            | 7,2                            | 361407     | 361408                                     | 361409     |             |
| Flange   | 50,0  | 40,0             | 0,2...10            | 11,3                           | 361410     | 361411                                     | 361412     |             |
| <b>Flange connection according to DIN EN 1092-1, seal material EPDM</b>  |   |                  |                     |                                |            |  |            |             |
| Flange   | 25,0  | 10,0             | 0,2...10            | 5,1                            | 371943     | on request                                 | 368163     |             |
| Flange   | 32,0  | 20,0             | 0,2...10            | 6,45                           | on request | on request                                 | 367561     |             |
| Flange   | 40,0  | 20,0             | 0,2...10            | 7,2                            | on request | on request                                 | on request |             |
| Flange   | 50,0  | 40,0             | 0,2...10            | 11,3                           | 361414     | on request                                 | 367562     |             |

1.) Measurement at +20 °C, 1 bar pressure at the valve inlet and free outlet, a pressure difference of 0.5 bar is required to open the full cross-section.

2.) Pressure data: Overpressure to atmospheric pressure

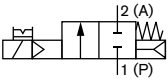
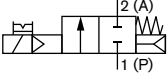
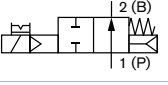
| Further versions on request   |  |  |
|---|--|--|
|  | <b>Additional</b><br>With optical position indicator or electrical position feedback sensor as potential-free contact or Namur signal                                |  <b>Pressure</b><br>Pressure range up to 16 bar |
|  | <b>Approval</b><br>UL, UR, CSA, Hazardous Locations Expl. proof, Ex, KOSHA, NEPSI, CGA/AGA, FM Ex Div. 1 or 2, drinking water according to KTW/W270, impulse version |  <b>Voltage</b><br>Further voltages             |

DTS 1000011015 EN Version: N Status: RL (released | freigegeben | valide) printed: 20.04.2020

**Explosion-proof versions**




**Note:**

- Max. switching frequency 20/min at max. medium temperature 70 °C and max. ambient temperature 40 °C
- Max. switching frequency 5/min at max. medium temperature 90 °C and max. ambient temperature 55 °C

| Circuit function   | Port connection  | Nominal diameter | Flow coefficient water <sup>1.)</sup> | Pressure range <sup>2.)</sup> | Weight     | Article no. per voltage |                  |                  |
|--|--|------------------|---------------------------------------|-------------------------------|------------|-------------------------|------------------|------------------|
|  |  | [mm]             | [m³/h]                                | [bar]                         |            | [kg]                    | 024/UC<br>[V/Hz] | 230/UC<br>[V/Hz] |
| <b>With manual override and terminal connection box</b>  |  |                  |                                       |                               |            |                         |                  |                  |
| <b>A, solenoid valve</b><br>2/2 way<br>servo-controlled,<br>with manual override<br>normally closed<br><br>   | <b>Brass body with threaded connection, seal material FKM</b>  |                  |                                       |                               |            |                         |                  |                  |
|  | G ½  | 13               | 4.0                                   | 0.5...10                      | 1.1        | 355080                  | 355093           |                  |
|  | G ¾  | 20               | 6.5                                   | 0.5...10                      | 1.5        | 355110                  | 355098           |                  |
|  | G 1  | 25               | 10.0                                  | 0.5...10                      | 2.0        | 355096                  | 355097           |                  |
|  | G 1¼   | 32               | 20.0                                  | 0.5...10                      | 2.7        | on request              | on request       |                  |
|  | G 1½   | 40               | 20.0                                  | 0.5...10                      | 3.2        | 355118                  | 355088           |                  |
|  | G 2  | 50               | 40.0                                  | 0.5...10                      | 5.3        | on request              | on request       |                  |
|  | <b>Stainless steel body with threaded connection, seal material FKM</b>  |                  |                                       |                               |            |                         |                  |                  |
|  | G ½  | 13               | 4.0                                   | 0.5...10                      | 1.0        | 355087                  | 355103           |                  |
|  | G ½  | 20               | 5.0                                   | 0.5...10                      | 1.5        | 355081                  | 355085           |                  |
|  | G ¾  | 20               | 6.5                                   | 0.5...10                      | 1.5        | 355089                  | 355092           |                  |
|  | G 1  | 25               | 10.0                                  | 0.5...10                      | 1.9        | 355084                  | 355102           |                  |
| G 1¼   | 32   | 20.0             | 0.5...10                              | 2.4                           | on request | 355107                  |                  |                  |
| G 1½   | 40   | 20.0             | 0.5...10                              | 2.8                           | 370934     | 355111                  |                  |                  |
| G 2  | 50   | 40.0             | 0.5...10                              | 4.9                           | on request | on request              |                  |                  |
| <b>With manual override and cable outlet, cable 3 m</b>  |  |                  |                                       |                               |            |                         |                  |                  |
| <b>A, solenoid valve</b><br>2/2 way<br>servo-controlled,<br>with manual override<br>normally closed<br><br> | <b>Brass body with threaded connection, seal material NBR</b>  |                  |                                       |                               |            |                         |                  |                  |
|  | G ½  | 13               | 4.0                                   | 0.5...10                      | 1.0        | 349632                  | 349634           |                  |
|  | G ¾  | 20               | 6.5                                   | 0.5...10                      | 1.5        | 349647                  | 349648           |                  |
|  | G 1  | 25               | 10.0                                  | 0.5...10                      | 1.9        | 349627                  | 349637           |                  |
|  | G 1¼   | 32               | 20.0                                  | 0.5...10                      | 2.7        | 349644                  | 349649           |                  |
|  | G 1½   | 40               | 20.0                                  | 0.5...10                      | 3.1        | 349651                  | 349652           |                  |
|  | G 2  | 50               | 40.0                                  | 0.5...10                      | 5.2        | 349635                  | 349650           |                  |
|  | G 2½   | 65               | 40.0                                  | 0.5...10                      | 6.0        | 357536                  | 349653           |                  |
|  | <b>B, solenoid valve</b><br>2/2 way<br>servo-controlled,<br>with manual override<br>normally open<br><br> |                  |                                       |                               |            |                         |                  |                  |
|  |  |                  |                                       |                               |            |                         |                  |                  |
|  |  |                  |                                       |                               |            |                         |                  |                  |
|  |  |                  |                                       |                               |            |                         |                  |                  |
|  |  |                  |                                       |                               |            |                         |                  |                  |
|  |  |                  |                                       |                               |            |                         |                  |                  |

1.) Measurement at +20 °C, 1 bar pressure at the valve inlet and free outlet, a pressure difference of 0.5 bar is required to open the full cross-section.

2.) Pressure data: Overpressure to atmospheric pressure

| Further versions on request  |  |
|--|--|
|  <b>Material</b><br>Seal material: NBR, FKM, EPDM |  <b>Pressure</b><br>Pressure range up to 16 bar |
|  <b>Voltage</b><br>110/UC                         |  |


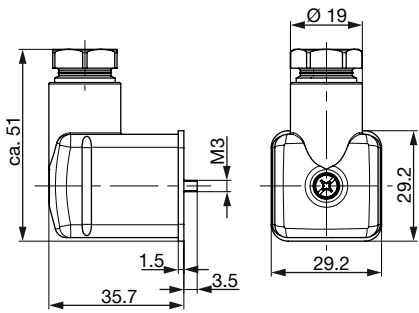




DTS 1000011015 EN Version: N Status: RL (released | freigegeben | valide) printed: 20.04.2020

#### 8.4. Ordering chart accessories

##### Cable plug Type 2518, form A acc. to DIN EN 175301 - 803

**Note:**




For other versions see data sheet **Type 2518** ▶.

| Cable plug  | Dimensions  | Version                          | Voltage         | Article no.  |
|---|---|----------------------------------|-----------------|--|
|  |  | Without circuitry (AC/DC)        | 0...250 V AC/DC | 314802  |
|   |   | With LED (AC/DC)                 | 12...24 V AC/DC | 314812  |
|   |   | With LED and varistor (AC/DC)    | 12...24 V AC/DC | 314820  |
|   |   | With rectifier, LED and varistor | 12...24 V AC/DC | 314816  |

#### Accessories for Ex cable glands

**Note:**

A polyamide cable gland is included in the scope of delivery. Brass nickel-plated can be ordered for an additional charge. For more detailed information on Ex cable glands see **"7. Product accessories"** on page 9.

| Description  | Article no.  |
|--|--|
| Ex cable gland, brass nickel-plated, 6...13 mm <sup>1)</sup>       | 773278   |
| Ex cable gland, polyamide, 7...13 mm <sup>1)</sup>                 | 773277  |
| Set SC02-AC10, special wrench <sup>2)</sup> , Service instructions | 293488  |

1.) Cable diameter

2.) Not included in the scope of delivery of the valve

# Bürkert – Close to You

For up-to-date addresses  
please visit us at  
[www.burkert.com](http://www.burkert.com)

DTS 1000011015 EN Version: N Status: RL (released | freigegeben | validé) printed: 20.04.2020

